



# MPK10

BATTERY POWERED



## REMOTE CONTROL



- ✓ Proportional & Precise
- ✓ Intuitive layout
- ✓ Spare battery on board

## + WIRE CONTROL

- ✓ Intuitive wire control

## REMOTE CONTROL FORWARD & REVERSE FUNCTIONS



## 990 KG HOOK



## SPECIAL FEATURES



- ✓ 990 kg runner Jib
- ✓ USB port for phone charging
- ✓ Big tool box
- ✓ Vacuum pump on board
- ✓ Removable counterweight

## 360° MANIPULATOR ROTATION

## MAIN BOOM

- ✓ 990 kg MAX capacity
- ✓ 2 hydraulic extensions
- ✓ High-resistance steel



## 990 KG GLASS MANIPULATOR



## 600 KG GLASS MANIPULATOR




## ± 9° ROTATION

## SIDE STABILISERS



## LONG-LASTING BATTERY

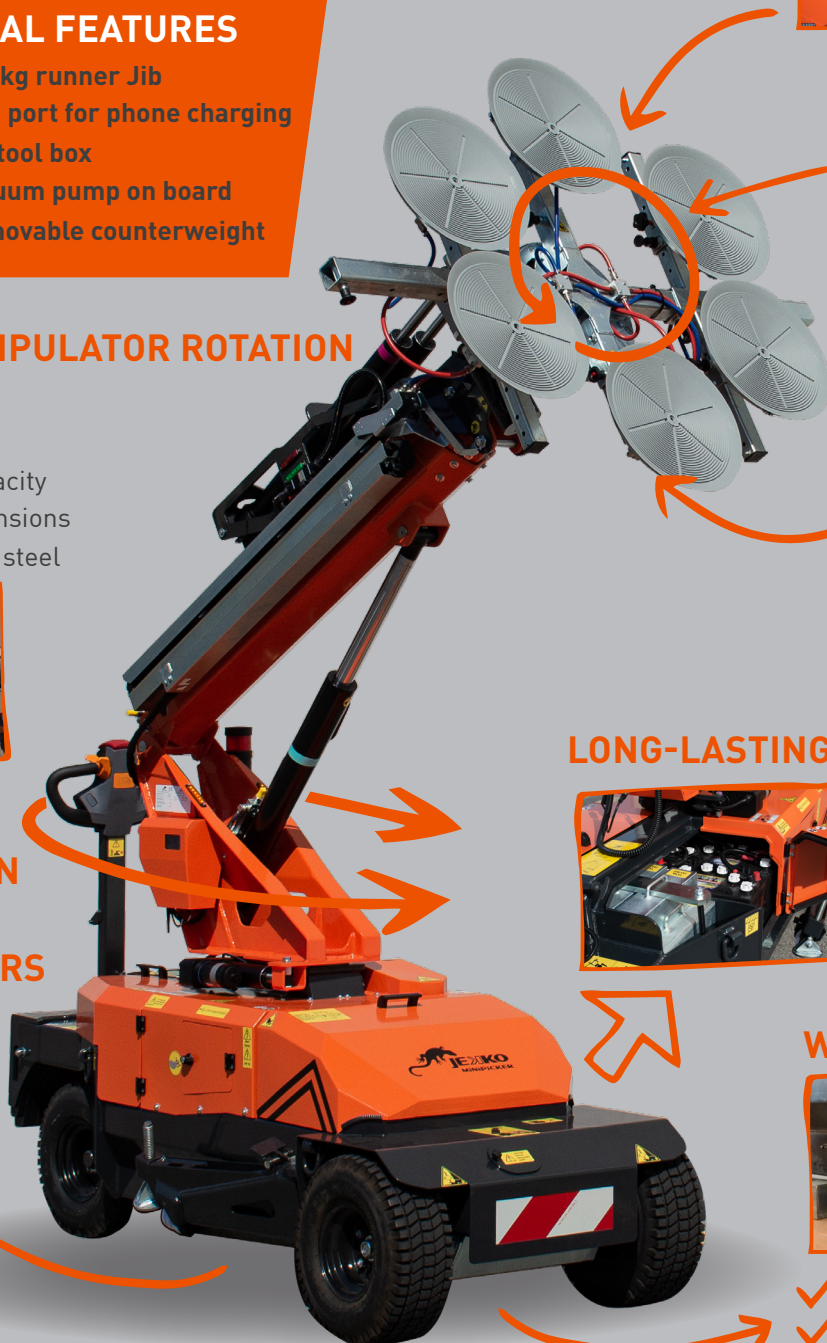


- ✓ 220V charger
- ✓ 110 V charger 

## WHEELS



- ✓ Twin wheels available
- ✓ White non-marking tires available





## DIMENSIONS (mm)



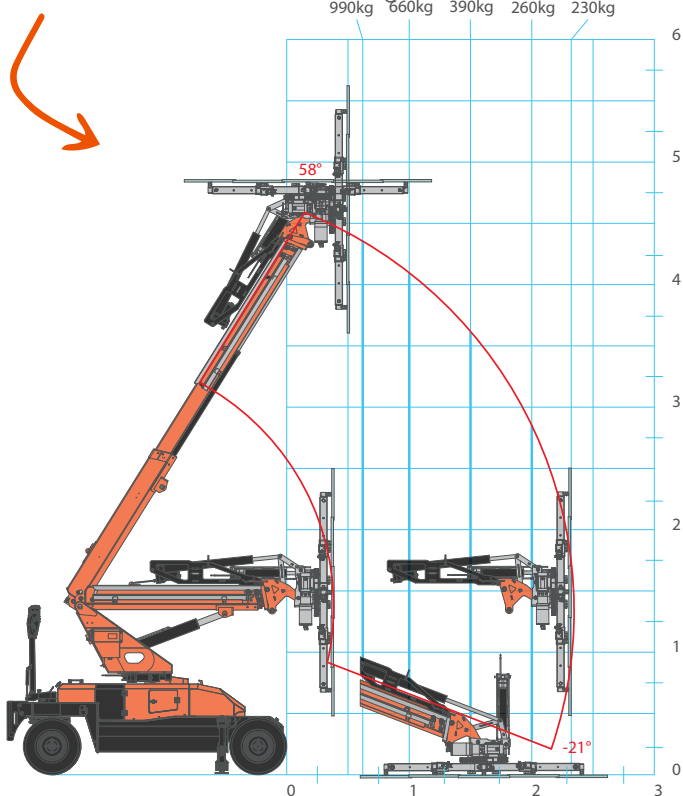
SCAN FOR MORE TECHNICAL DATA



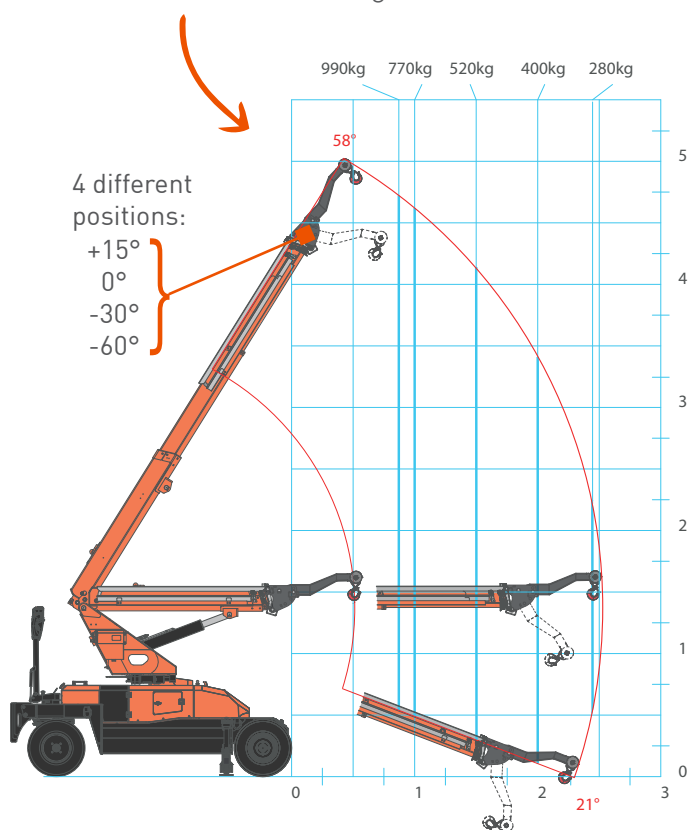
	Kg
MPK10	1045
Counterweight	230
JVM10	165



## LOAD CHART WITH 990 KG MANIPULATOR (m - kg)



## LOAD CHART WITH RUNNER JIB (m - kg)

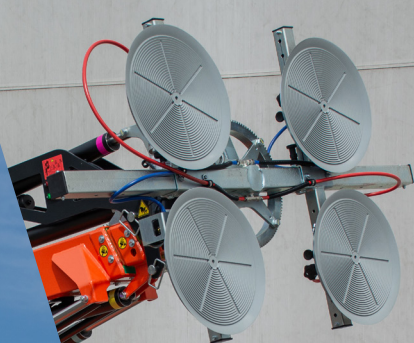


## ACCESSORIES

**JVM10EV**  
990 kg glass manipulator

**JVM06EV**  
600 kg glass manipulator

**990 kg**  
**RUNNER JIB**



V02.23

Jekko s.r.l. • info@jekko.it • www.jekko-cranes.com  
All specifications and features herein described can be changed without prior advice. All indicated data are indicative only and are not binding as crane performs differently depending on its use.

Printed on paper made from 100% recycled fiber